

THAI STORAGE BATTERY PLC.

AUTOMOTIVE BATTERY Catalogue



Passion of The Leader

Contents

Company Introduction	01
Low Maintenance	02
Low Maintenance STANDARD SERIES	03
Low Maintenance ELITE SERIES	05
	06 Maintenance Free
07	Maintenance Free WIDE - SERIES
08	Maintenance Free JAPAN - SERIES
Sealed Maintenance Free	09
Sealed Maintenance Free Specifications	10
	11 Technical Information

Company Introduction

Premium Quality, Made in Thailand- for Over 3 Decades.

Through our expertise and decisively forefront development, Thai Storage Battery Public Company Limited has evolved enormously vehicle technology and innovative competence more than 3 decades. Being one of the best automotive battery manufacturers in Thailand, we have built the unparalleled reputation and gain the Trust as 'the Power Solution Generator'. This can be guaranteed that Thai Storage Battery Public Company Limited has successfully well-placed our own development in the automobile industry.



ISUZU



DAIMLER

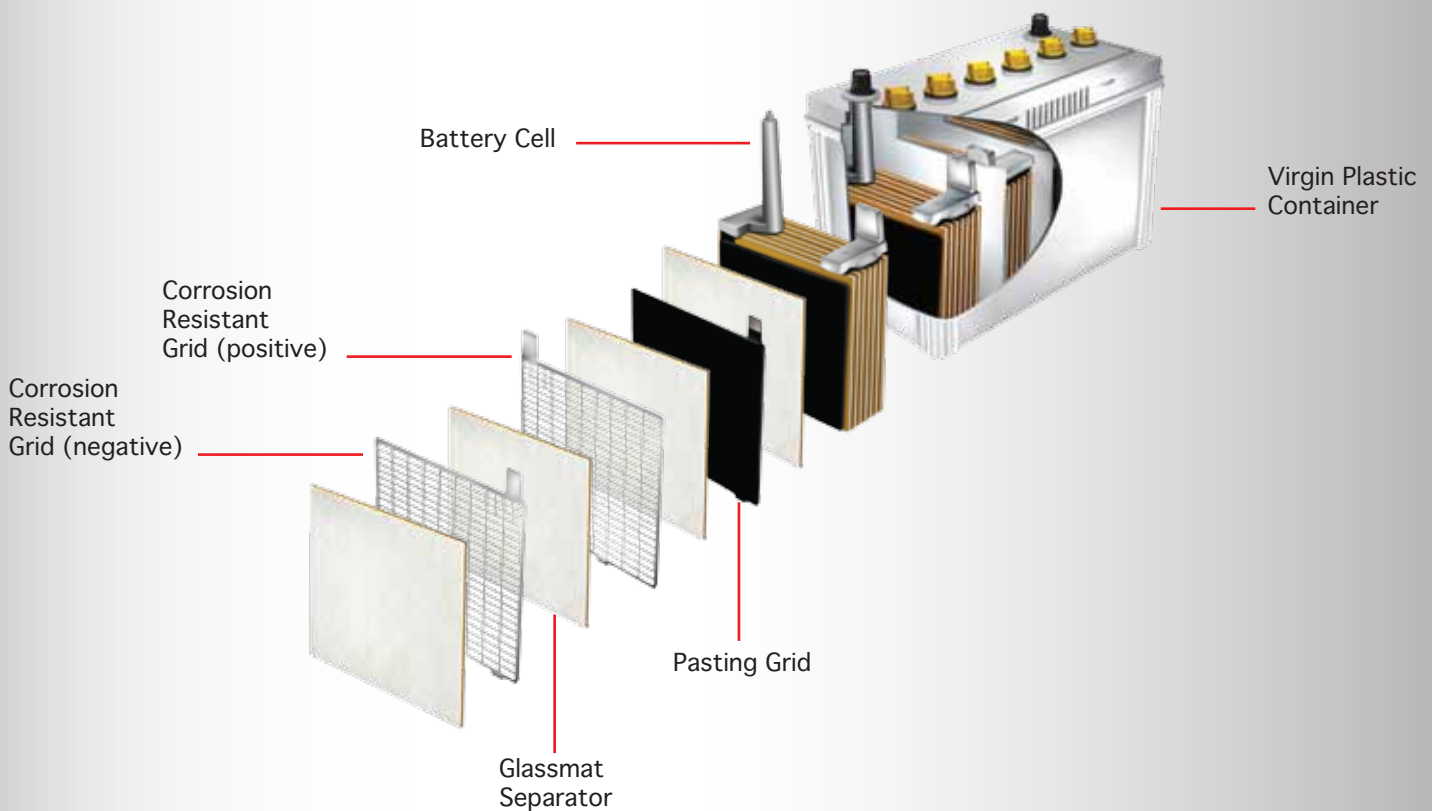


Low Maintenance

Long Lifespan, High Power, Guaranteed Millions of Worldwide

'TSB Low Maintenance'

The classical power solution with the strong power source, TSB Low Maintenance Battery utilizes full starting power as the right choice for a wide range of vehicles.



Technology and Highlights

- Longer Service Life
- Reliable Starting Power
- High Performance



Low Maintenance (JIS)

For Japanese Vehicles

Model	Capacity at 20 hr (Ah)	Plate/Cell (pcs)	Battery Dimension (mm.)				Approx Weight (Kg)	Approx Acid/Battery (L)	Terminal Direction	Cell Layout
			L	W	H	TH				
12N24-3	26	11	185	125	160	174	5.2	1.8	C	0
12N24-4	26	11	185	125	160	174	5.2	1.8	C	1
NS40L	32	9	195	127	200	222	5.4	2.8	B	0
NS40	32	9	195	127	200	222	5.4	2.8	B	1
NS40ZL	35	11	195	127	200	222	6.1	2.5	B	0
NS40Z	35	11	195	127	200	222	6.1	2.5	B	1
N40L	40	11	236	127	200	222	6.6	3.3	B	0
N40	40	11	236	127	200	222	6.6	3.3	B	1
NS60AL	40	11	236	127	200	222	6.6	3.3	B	0
NS60A	40	11	236	127	200	222	6.6	3.3	B	1
NS60L	45	13	236	127	200	222	8.2	3.0	B	0
NS60	45	13	236	127	200	222	7.7	3.0	B	1
55D23L	60	11	230	171	200	225	10.5	3.7	A	0
55D23R	60	11	230	171	200	223	10.5	3.7	A	1
75D23L	65	13	230	171	200	223	11.8	3.5	A	0
75D23R	65	13	230	171	200	223	11.8	3.5	A	1
N50L	50	9	256	170	201	224	9.0	5.4	A	0
N50	50	9	256	170	201	224	9.0	5.4	A	1
N50ZL	60	11	256	170	201	224	10.6	5.2	A	0
N50Z	60	11	256	170	201	224	10.6	5.2	A	1
N60L	60	11	256	170	201	224	10.6	5.2	A	0
N60	60	11	256	170	201	224	10.6	5.2	A	1
NS70L	65	13	256	170	201	224	11.1	5.0	A	0
NS70	65	13	256	170	201	224	11.1	5.0	A	1
NS80L	65	13	256	170	201	224	11.0	5.0	A	0
NS80	65	13	256	170	201	224	11.0	5.0	A	1
N70L	70	13	303	170	201	224	12.2	5.4	A	0
N70	70	13	303	170	201	224	12.2	5.4	A	1
N70ZL	70	15	303	170	201	224	12.9	5.0	A	0
N70Z	70	15	303	170	201	224	12.9	5.0	A	1
N75L	75	15	303	170	201	224	12.9	5.0	A	0
N75	75	15	303	170	201	224	12.9	5.0	A	1
NS100	75	15	303	170	201	224	12.9	5.0	A	1
95D31L	80	17	303	170	201	224	15.9	5.4	A	0
95D31R	80	17	303	170	201	224	15.9	5.4	A	1
105D31L	95	19	303	170	202	224	17.0	6.5	A	0
105D31R	95	19	303	170	202	224	17.0	6.5	A	1
NX120-7L	80	17	303	170	201	224	13.5	4.6	A	0

Low Maintenance (JIS)

For Japanese Vehicles

Model	Capacity at 20 hr (Ah)	Plate/Cell (pcs)	Battery Dimension (mm.)				Approx Weight (Kg)	Approx Acid/Battery (L)	Terminal Direction	Cell Layout
			L	W	H	TH				
NX120-7	80	17	303	170	201	224	13.5	4.6	A	1
TX790L	90	17	303	170	201	224	14.2	5.0	A	0
TX790	90	17	303	170	201	224	14.2	5.0	A	1
TX1000L	100	19	303	170	201	224	17.0	5.6	A	0
TX1000	100	19	303	170	201	224	17.0	5.6	A	1
N100A	95	15	406	173	209	232	14.0	7.8	A	1
N100L	100	17	406	173	209	232	16.0	5.0	A	0
N100	100	17	406	173	209	232	16.0	5.0	A	1
N120A	110	19	502	180	210	255	19.2	9.5	E	1
N120	120	21	502	180	210	255	21.0	9.5	E	3
N135	135	21	505	220	210	255	23.1	12.0	E	3
N150A	140	23	505	220	210	255	23.1	12.0	E	3
N150L	150	25	505	220	210	255	24.9	11.5	E	3
N150	150	25	505	220	210	255	24.9	11.5	E	3
N180	180	29	517	275	216	261	30.3	15.0	E	3
N200A	190	31	517	275	216	261	31.6	15.5	E	3
N200	200	33	517	275	216	261	32.9	15.0	E	3
4-DLT	135	27	505	205	182	205	22.3	10.2	A	2

Low Maintenance (DIN)

For European Vehicles

Model	Capacity at 20 hr (Ah)	Plate/Cell (pcs)	Battery Dimension (mm.)				Approx Weight (Kg)	Approx Acid/Battery (L)	Terminal Direction	Cell Layout
			L	W	H	TH				
54434	44	9	210	175	190	190	9.2	3.0	A	0
54533	45	11	241	175	175	175	9.2	3.3	A	0
55530	55	11	241	175	190	190	9.2	3.5	A	0
55548	55	11	241	175	190	190	9.2	3.5	A	1
56311	63	13	276	175	175	175	10.8	4.4	A	0
56618	66	13	276	175	190	190	11.0	4.8	A	0
57217	72	15	276	175	190	190	12.2	4.0	A	0
58815	88	17	353	175	190	190	14.9	5.5	A	0
67018	170	21	512	222	193	220	32.7	11.5	E	2
DIN60L	60	11	241	175	190	190	9.2	3.6	A	1
DIN60	60	11	241	175	190	190	9.2	3.6	A	0
DIN65	65	13	241	175	190	190	10.8	3.3	A	0
DIN75	75	15	276	175	190	190	12.3	4.0	A	0
DIN100	100	19	353	175	190	190	14.9	5.2	A	0

Low Maintenance (JIS)

For Japanese Vehicles

Model	Capacity at 20 hr (Ah)	Plate/Cell (pcs)	Battery Dimension (mm.)				Approx Weight (Kg)	Approx Acid/Battery (L)	Terminal Direction	Cell Layout
			L	W	H	TH				
NS40L	32	9	195	127	200	222	6.0	2.8	B	0
NS40ZL	35	11	195	127	200	222	7.2	2.5	B	0
NS60L	45	13	236	127	200	222	8.2	3.0	B	0
N50L	50	9	256	170	201	224	9.2	5.4	A	0
N50	50	9	256	170	201	224	9.2	5.4	A	1
N50ZL	60	11	256	170	201	224	11.0	5.2	A	0
N50Z	60	11	256	170	201	224	11.0	5.2	A	1
N70L	70	13	303	170	201	224	13.0	5.4	A	0
N70	70	13	303	170	201	224	13.0	5.4	A	1
NS100L	75	15	303	170	201	224	14.4	5.0	A	0
NS100	75	15	303	170	201	224	14.4	5.0	A	1
N100	100	17	406	173	209	232	17.0	7.5	A	1
N120	120	21	502	180	210	255	21.0	9.5	E	3
N150	150	25	505	220	210	255	24.9	11.5	E	3
N200	200	33	517	275	216	261	32.9	15.0	E	3

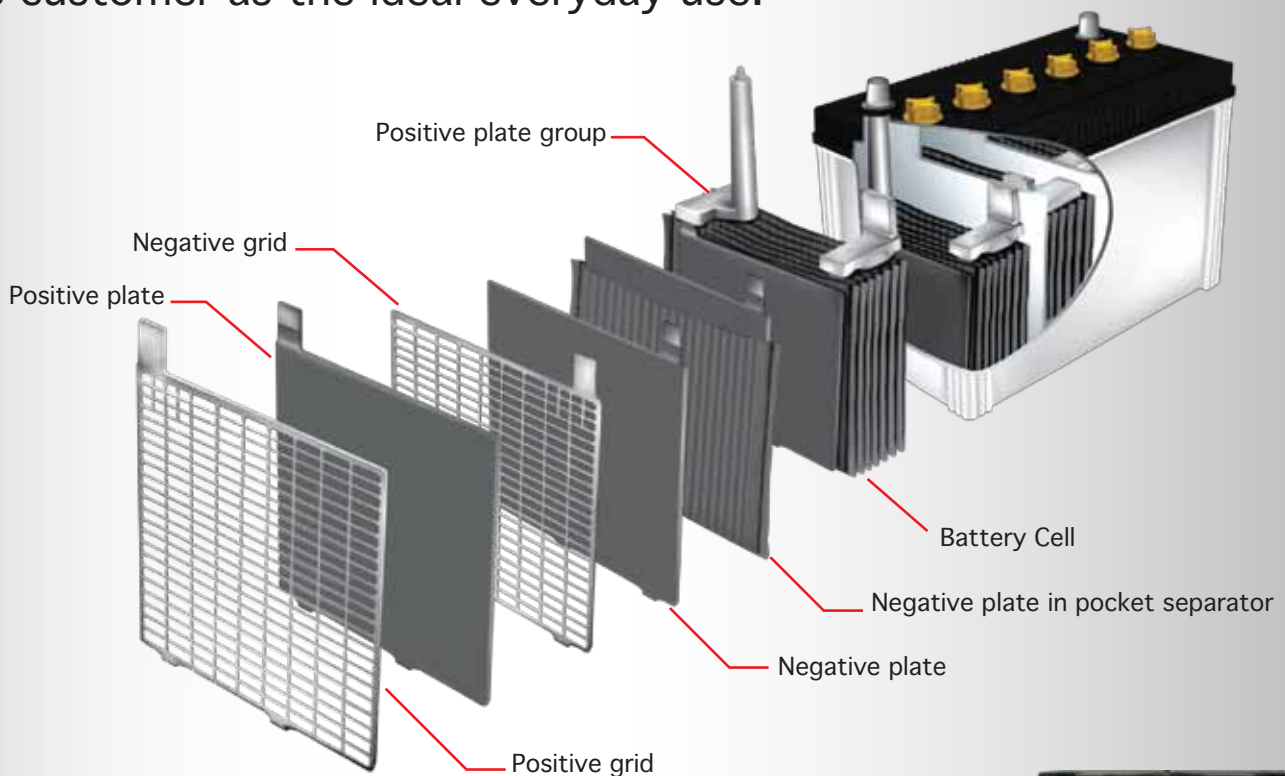


Maintenance Free

Advanced Performance, Advanced Power Supply,
Proven Millions of Worldwide

'TSB Advanced Maintenance Free'

With the superior technical features, TSB Advanced Maintenance Free Battery optimizes more sophisticated application, more remarkable starting power and higher performance. It permanently meets the customer as the ideal everyday use.



Technology and Highlights

- Lower Self-Discharge Rate
- Less Water Consumption
- Enhance Starting Power
- High Dependability



Maintenance Free (JIS)

For Japanese Vehicles

Model	Capacity at 20 hr (Ah)	Plate/Cell (pcs)	Battery Dimension (mm.)				Approx Weight (Kg)	Approx Acid/Battery (L)	Terminal Direction	Cell Layout
			L	W	H	TH				
40B19L	38	9	190	127	200	224	7	2.4	B	0
40B19R	38	9	190	127	200	224	7	2.4	B	1
55B24L	45	13	236	127	200	224	9.7	3.1	B	0
55B24R	45	13	236	127	200	224	9.7	3.1	B	1
80D23L	65	13	228	170	202	224	12.5	4.4	A	0
80D26L	70	13	258	170	202	224	14.3	4.7	A	0
80D26R	70	13	258	170	202	224	14.3	4.7	A	1
105D31L	80	17	303	170	202	224	17.7	5.4	A	0
105D31R	80	17	303	170	202	224	17.7	5.4	A	1
LN1	50	11	207	175	168	190	10.5	3.0	A	0
LN2	60	13	242	175	168	190	12.7	3.3	A	0
LN3	70	17	277	175	168	190	16.5	3.5	A	0
LN5	90	21	352	175	168	190	19.8	5.4	A	0
T-250A	55	11	242	175	168	190	12.0	3.0	A	0
C-120	60	13	242	175	168	190	14.4	2.9	A	0

Maintenance Free (DIN)

For European Vehicles

Model	Capacity at 20 hr (Ah)	Plate/Cell (pcs)	Battery Dimension (mm.)				Approx Weight (Kg)	Approx Acid/Battery (L)	Terminal Direction	Cell Layout
			L	W	H	TH				
55530	55	11	240	174	190	190	12.2	3.8	A	0
56618	66	13	276	174	190	190	14.8	4.5	A	0
58515	90	21	352	174	175	175	18.1	6.1	A	0
60038	100	20	352	174	190	140	19.1	6.8	A	0



Maintenance Free (JIS)

For Japanese Vehicles

Model	Capacity at 20 hr (Ah)	Plate/Cell (pcs)	Battery Dimension (mm.)				Approx Weight (Kg)	Approx Acid/Battery (L)	Terminal Direction	Cell Layout
			L	W	H	TH				
55B24L	45	13	236	127	200	224	9.7	3.1	B	0
55B24R	45	13	236	127	200	224	9.7	3.1	B	1
80D23L	65	13	228	170	202	224	12.5	4.4	A	0
80D23R	65	13	228	170	202	224	12.5	4.4	A	1
80D26L	70	13	258	170	202	224	14.3	4.7	A	0
80D26R	70	13	258	170	202	224	14.3	4.7	A	1
90D26L	70	13	258	170	202	224	14.3	4.7	A	0
90D26R	70	13	258	170	202	224	14.3	4.7	A	1
105D31L	80	17	303	170	202	224	17.7	5.4	A	0
105D31R	80	17	303	170	202	224	17.7	5.4	A	1
120E41R	104	19	406	173	209	232	20.9	7.1	E	1
130F51	130	23	502	180	210	255	13.8	8.8	E	3
165G51	165	21	505	220	210	239	32.3	11.2	E	3
225H52	220	29	517	275	216	261	31.0	15.0	E	3

Maintenance Free (DIN)

For European Vehicles

Model	Capacity at 20 hr (Ah)	Plate/Cell (pcs)	Battery Dimension (mm.)				Approx Weight (Kg)	Approx Acid/Battery (L)	Terminal Direction	Cell Layout
			L	W	H	TH				
55530	55	11	240	174	190	190	12.2	3.8	A	0
56318	63	13	276	174	175	175	13.0	4.3	A	0
60038	100	20	352	174	190	190	19.1	6.8	A	0

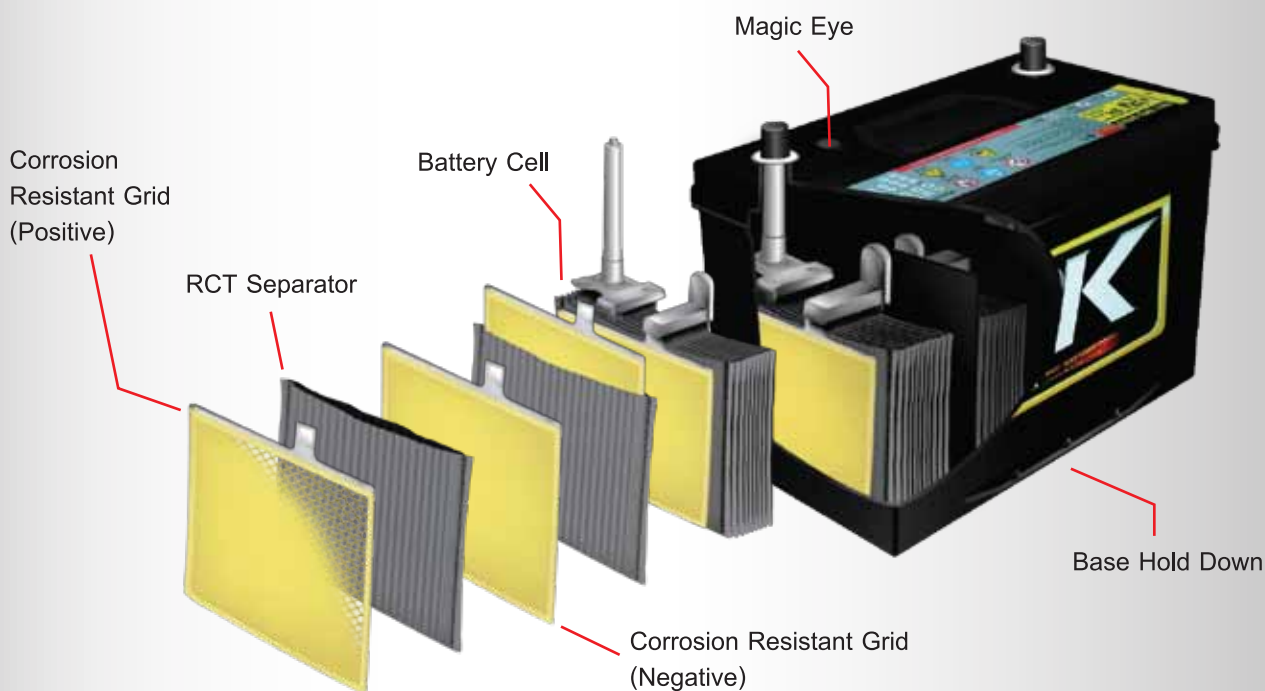


Sealed Maintenance Free

The First in Thailand, The Absolute Power Source, Assured Millions of Worldwide

'TSB Sealed Maintenance Free'

The practice-and future-oriented developments with high quality product level, Sealed Maintenance Free Battery has reputedly been introduced by Thai Storage Battery Public Company Limited as the First Manufacturer in Thailand. We deliver its higher starting up ability, maximum reserve capacity, utmost durability which have always been adhering to the highest quality standard.



Technology and Highlights

- The Higher Cold Cranking Start Up
- The Maximum Reserve Capacity
- The Extreme Durability
- The Absolute Safety and Convenience



Sealed Maintenance Free (JIS)

For Japanese Vehicles

Model	Capacity at 20 hr (Ah)	Plate/Cell (pcs)	Battery Dimension (mm.)				Approx Weight (Kg)	Approx Acid/Battery (L)	Terminal Direction	Cell Layout
			L	W	H	TH				
40B19L	35	10	187	127	200	222	7.6	2.2	B	0
40B19R	35	10	187	127	200	222	7.6	2.2	B	1
46B24L	45	12	236	129	200	222	9.2	3.0	B	0
46B24R	45	12	236	129	200	222	9.2	3.0	B	1
48D26L	50	10	257	173	203	222	10.2	4.8	A	0
48D26R	50	10	257	173	203	222	10.2	4.8	A	1
55D26L	60	12	257	173	203	222	12.2	4.7	A	0
55D26R	60	12	257	173	203	222	12.2	4.7	A	1
60B24L	48	13	236	129	200	222	9.8	2.9	B	0
60B24R	48	13	236	129	200	222	9.8	2.9	B	1
65D31L	70	14	303	173	203	222	14.4	5.5	A	0
65D31R	70	14	303	173	203	222	14.4	5.5	A	1
75D26L	65	13	257	173	203	222	13.4	4.6	A	0
75D26R	65	13	257	173	203	222	13.4	4.6	A	1
75D31L	75	15	303	173	203	222	15.1	5.4	A	0
75D31R	75	15	303	173	203	222	15.1	5.4	A	1
80D26L	70	14	257	173	203	222	13.6	4.5	A	0
80D26R	70	14	257	173	203	222	13.6	4.5	A	1
95D31L	80	16	303	173	203	222	15.5	5.3	A	0
95D31R	80	16	303	173	203	222	15.5	5.3	A	1
105D31L	90	18	303	173	203	222	16.9	5.2	A	0
105D31R	90	18	303	173	203	222	16.9	5.2	A	1

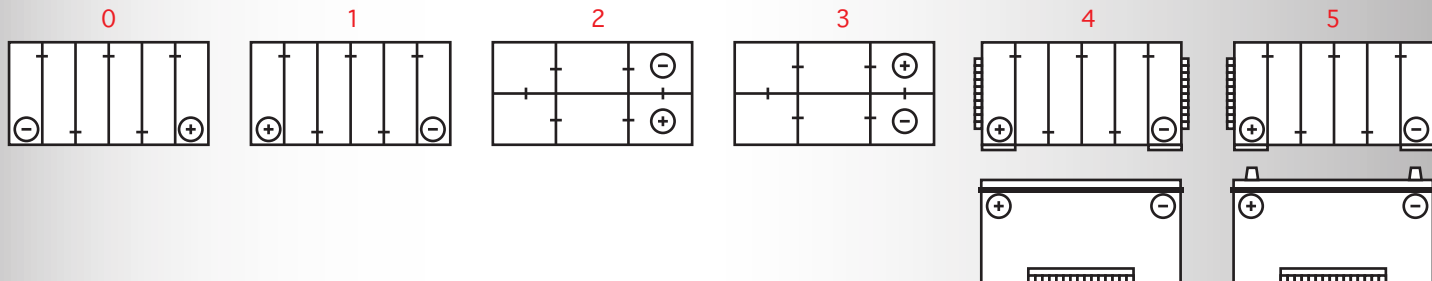
Sealed Maintenance (DIN)

For European Vehicles

Model	Capacity at 20 hr (Ah)	Plate/Cell (pcs)	Battery Dimension (mm.)				Approx Weight (Kg)	Approx Acid/Battery (L)	Terminal Direction	Cell Layout
			L	W	H	TH				
LN2-55559	55	12	242	175	190	190	10.7	3.7	A	0
LN2-56219	62	13	242	175	190	190	11.5	3.5	A	0
LN2-56220	62	13	242	175	190	190	11.5	3.5	A	1
LN2-55565	55	12	242	175	190	190	10.7	3.7	A	1
LN2-56220	62	13	242	175	190	190	11.5	3.5	A	1
LN3-56638	66	14	278	175	190	190	12.8	4.2	A	0
LN3-57412	74	16	278	175	190	190	13.8	4.0	A	0
LN3-57219	72	15	278	175	190	190	13.2	4.0	A	1
LN3-57220	72	15	278	175	190	190	13.2	4.0	A	0
LN3-57412	74	16	278	175	190	190	13.9	4.0	A	0
LN5-58827	88	18	353	175	190	190	16.7	5.4	A	0
LN5-59218	92	19	353	175	190	190	17.5	5.4	A	0
LN5-60038	100	21	353	175	190	190	18.2	5.4	A	0

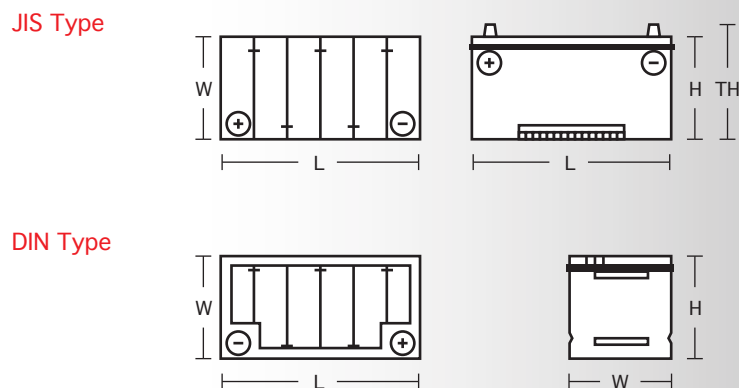
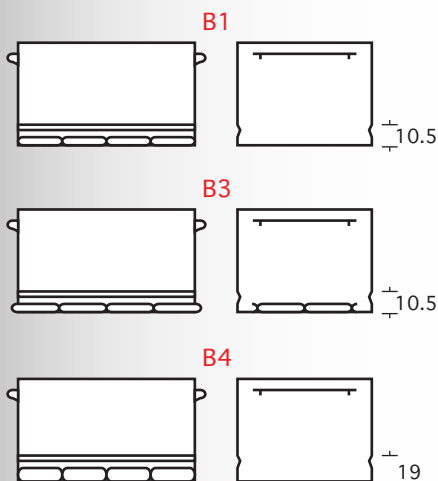
Technical Information

Cell Layout

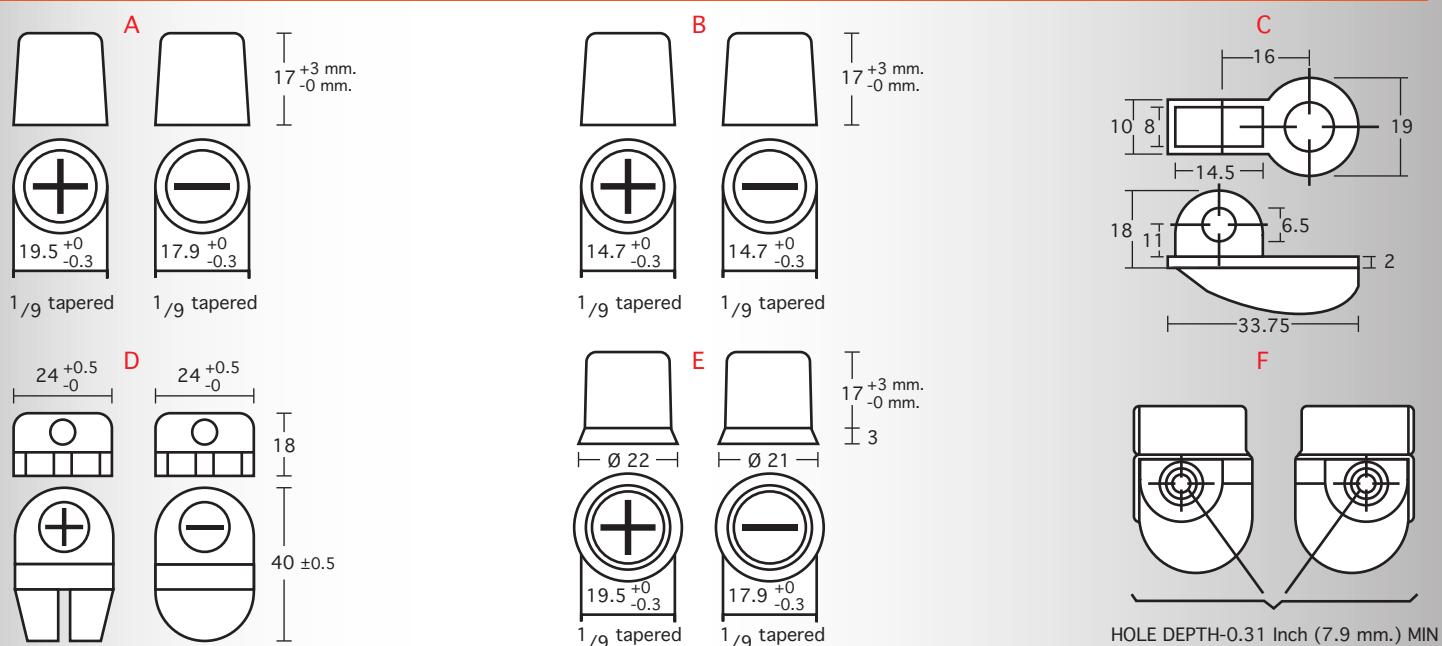


Base Hold Down

Measurement



Terminals





THAI STORAGE BATTERY PLC.

387 Moo 4, Soi Patana 3, Sukhumvit Rd.,
Bangpoo Industrial Estate, Praekasa,
Muang District, Samutprakarn 10280 Thailand
Tel +66 (0) 2 709 3535 Fax +66 (0) 2 393 2509

WWW.TSBBATTERY.COM

WWW.3KBATTERY.COM

WWW.FACEBOOK.COM/TSBSOCIETY